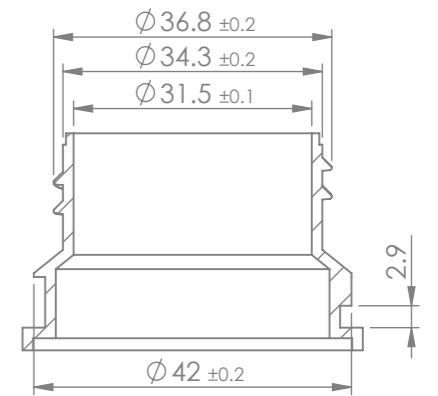
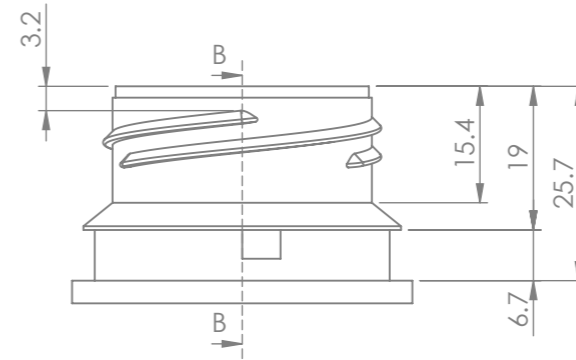
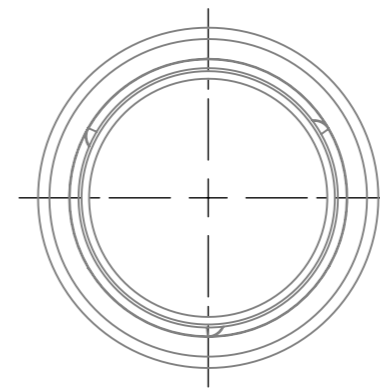
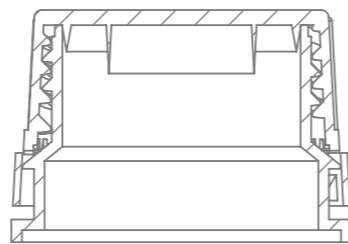
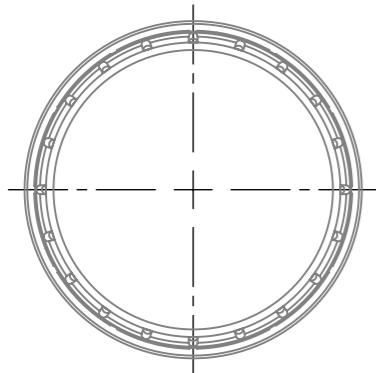


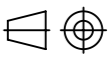
SECTION A-A


Three Start Thread
Pitch: 11.5mm
Revolution: 180°



SECTION B-B



Drawn: N Tullener	Material: PP	Ref. No -
Approved:	Mass: 6.3g ±0.5g	 Rev. No - 001
Date: 2017-07-11	Capacity: Rated - Brimfull -	
Scale: 1:1		

Title: Anti-humidity Cap & Neck		
<small>This drawing remains the property of B&I Polycontainers and may not be copied or reproduced. Freedom from patent of design must not be assumed. Subject to change without notice or liability.</small>		
DO NOT SCALE		A3