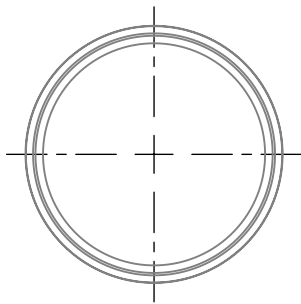
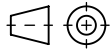


SECTION A-A



| | | |
|---|---------------------------------|--|
| <i>Drawn:</i> N Tullener | <i>Material:</i> | <i>Ref. No -</i> |
| <i>Approved:</i> | <i>Mass:</i> |  <i>Rev. No -</i> |
| <i>Date:</i> 2017-07-10 | <i>Capacity:</i> <i>Rated -</i> | |
| <i>Scale:</i> 1:1 | <i>Brimfull -</i> | |
| <i>Title:</i> Ø 32mm Plug | | B&I POLYCONTAINERS |
| <small>This drawing remains the property of B&I Polycontainers and may not be copied or reproduced. Freedom from patent of design must not be assumed. Subject to change without notice or liability.</small> | | |
| DO NOT SCALE | | A4 |